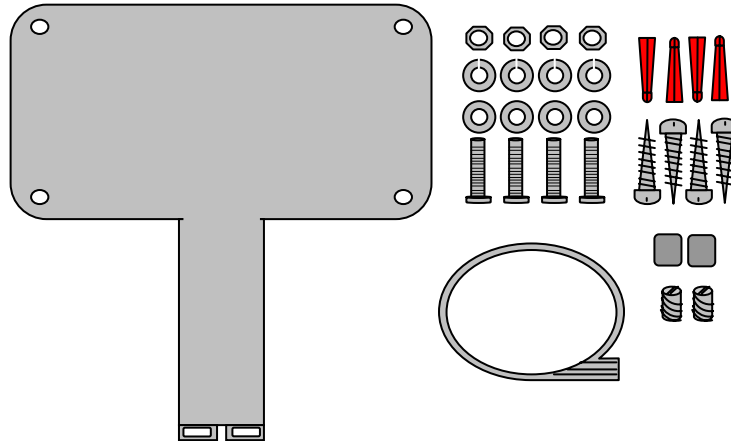




MOUNTING KIT (Pipe/Wall)– TYPE PBJ

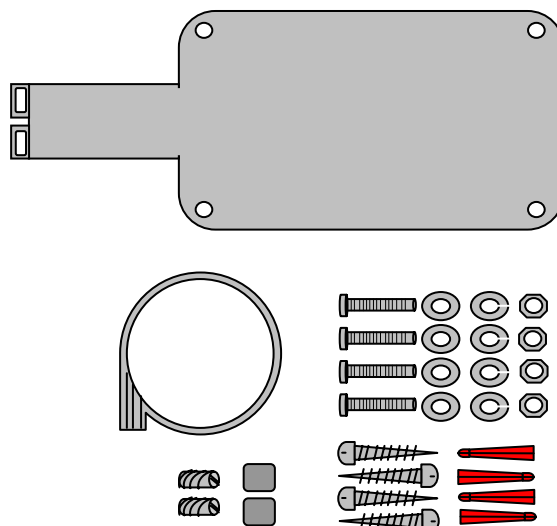
FOR USE WITH – TYPE JBT JUNCTION BOX THERMOSTATS

TYPE – PBJH (Horizontal mounting)



- | | |
|--|--------------------------------|
| STAINLESS STEEL BRACKET: X 1 | MILD STEEL BANDING: X 1.5M |
| BANDING SCREWS AND HOUSINGS: X 2 | MACHINED SCREWS: X 4 |
| WASHERS: X 4 | SPRING WASHERS: X 4 |
| NUTS: X 4 | WALL PLUGS(WALL MOUNTING): X 4 |
| SELF TAPPING SCREWS (WALL MOUNTING): X 4 | |

TYPE – PBJV (Vertical mounting)



- | | |
|--|--------------------------------|
| STAINLESS STEEL BRACKET: X 1 | MILD STEEL BANDING: X 1.5M |
| BANDING SCREWS AND HOUSINGS: X 2 | MACHINED SCREWS: X 4 |
| WASHERS: X 4 | SPRING WASHERS: X 4 |
| NUTS: X 4 | WALL PLUGS(WALL MOUNTING): X 4 |
| SELF TAPPING SCREWS (WALL MOUNTING): X 4 | |